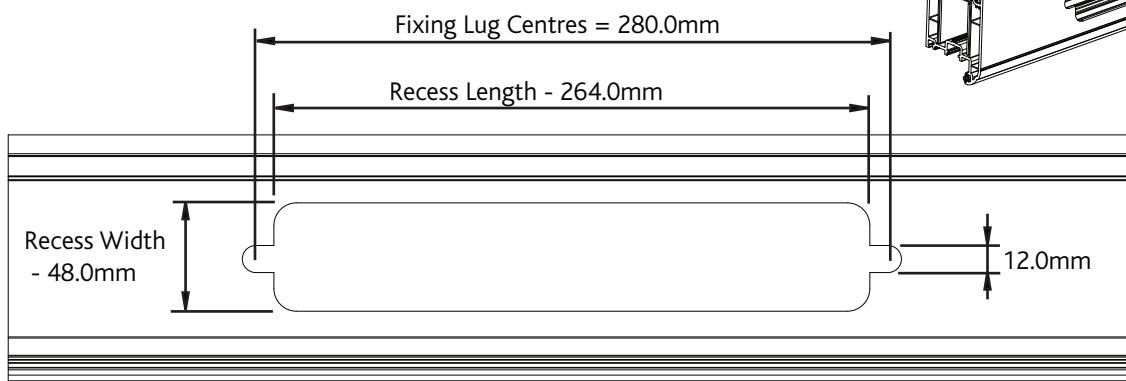


Letterplate (Nu Mail) Fitting Instructions

Door Preparation - Routing Detail

- 1 Prior to installation of the NuMail letterplate, ensure that the door has been routed correctly according to the diagram below:

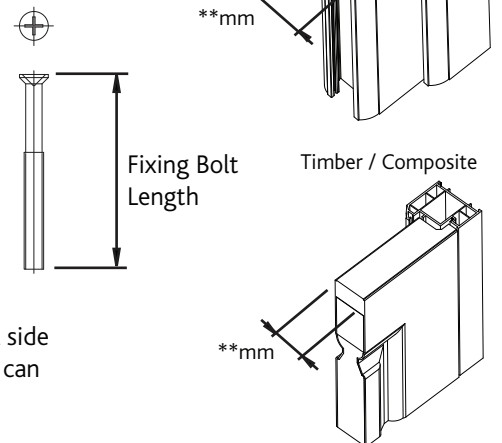


Letterplate Assembly

- 2 The packaging contains three sizes of fixing bolts. The door thickness should be measured to determine the correct size of bolt (see diagram below of the most common door sizes).

Note: Profile thicknesses vary greatly and it may be necessary to trim the bolt length to suit.

DOOR THICKNESS	BOLT LENGTH	QTY
66.0mm-74.0mm PVCu	73mm	2
55.0mm-64.0mm PVCu	63mm	2
42.0mm-48.0mm Timber/Composite	48mm	2



- 3 Identify which is the external and internal side of the letterplate. The external side of the letterplate is identified by attached fixing lugs as per images below and can also be identified by finger recess underneath the letterplate flap.

Please ensure that the weather gasket which is contained within the packaging is also placed over the plastic sleeve of the external letterplate over the plastic sleeve of the external letterplate prior to placing onto the door.

